



McInnes Cook Light Limited

Unit 10 Rudgate Business Park,
Rudgate, Tockwith,
NorthYorkshire YO26 7RD
United Kingdom

+44 1423 359-988
www.mcinnescook.com
info@mcinnescook.com

Pablo[®]
2021
NEW PRODUCTS

See the Light

ABOUT PABLO DESIGNS

Pablo's designs have been propelled to the forefront of American contemporary lighting by an uncompromising devotion to simplicity and utility. By fusing the highest technical sensibilities with the most appropriate material palette, Pablo is able to create unique, timeless designs with the power to transform any environment. Pablo was founded in San Francisco in 1993 by Venezuelan born industrial designer Pablo Pardo. Embracing a less-is-more ideology, Pablo frequently challenges traditional design metaphors, developing more practical solutions distilled down to their essence, form and light. A common thread links all of its creations, valuing permanence and sustainability, discarding the disposable mindset so prevalent today. Its mission is to create designs that deepen the relationship between objects, their users, and their environments.

FOUNDER / CREATIVE DIRECTOR

Pablo Pardo

With the creation of his first product in 1993, Pablo established a powerful and generative design philosophy. Since then, his core principles have informed the development of every light in the studio's 28-year history. These products continue to move with culture while withstanding trends in design and each one carries the underlying uniqueness that is distinctly "Pablo."



DESIGN COLLABORATIONS



Brad Ascalon

Brad Ascalon's multidisciplinary Manhattan studio was founded in 2006. With a reductive approach to his craft, Ascalon believes in design that is uncomplicated, rational and manages to find the perfect balance of form, function, and concept. Ascalon's work has been exhibited around the world, and in 2013 he was singlehandedly invited to represent American design with an installation at Moscow Design Week. Ascalon earned a Masters' degree for Industrial Design from New York's Pratt Institute in 2005, and that same year was recognized by Wallpaper magazine as one of the "Ten Most Wanted", emerging designers in the world. He attributes his passion for design to the two generations before him who instilled the value of craftsmanship and rigor.



Carmine Deganello

Based in Amsterdam and Milan, Deganello's creative process begins with materiality and an empirical approach that is highly experimental. Research on materials and the ways in which they can unexpectedly drive the productive process is essential to his work. His lamp, Solis, is a product of Carmine's shared sensibilities and long-term collaboration with Pablo. Deganello has worked extensively in Europe as well as the United States, his projects have been presented, among others, at the Triennale Design Museum as part of the New Italian Design collection and at the MAK Museum for applied and contemporary art in Vienna. He is a graduate of Florence's Instituto Superiore per la Industrie Artistiche.



Pablo Studio

The Pablo Studio is a small group of makers and inventors with a diverse background in industrial design and craft, and a deep understanding of manufacturing, materials and technology. They aim to foster a sense of discovery and deeply personal utility in people's interaction with objects. In beginning a new project, the team isolates a concept, meticulously refines it, and then reduces it to its central principle. The studio requires each design element to contribute to the essence of an object, following the Pablo philosophy of "less is more." Pablo Studio works together to develop products that offer people unique experiences and broaden the field of lighting design.

PRODUCT FAMILIES



BELMONT
6-11



BOLA LANTERN
12-17



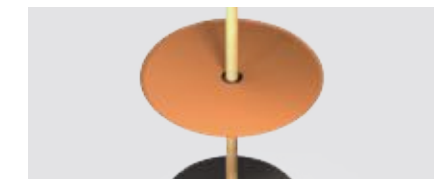
CANDEL
18-21



CAROUSEL
22-25



LUCI
26-33



NIVEL
34-37



SKY
38-47



TALIA
48-53

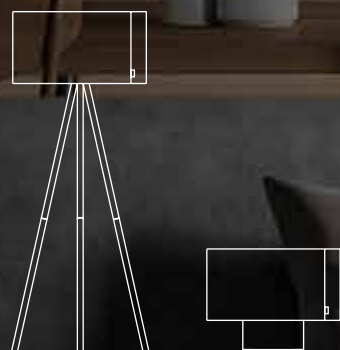


T.O.
54-59

BELMONT

The Belmont Collection was a collaborative creation with designer Brad Ascalon. Re-envisioning the traditional fabric shade lamp, but with the warmth and preciousness of hand crafted furniture. Belmont's iconic, yet reductive form creates a natural canvas for displaying an exquisite array of textiles from premium wool to colorful woven fabrics that can be paired with a solid crafted oak wood armature. Belmont Floor floats over a majestic trio of solid wood posts while Belmont Table sits atop a solid wood base that echoes the shade form. Perfectly suited for residential and hospitality environments alike, Belmont Floor and Table are offered in three luxurious shade colors with two rich wooden finishes.

Designer: Brad Ascalon + Pablo Pardo + Pablo Studio 2020



BELMONT TABLE

DESCRIPTION

An elegant interplay of proportion and material, the Belmont Table Lamp is designed to illuminate interiors from modern to traditional. Its iconic shade form is comprised of premium wool felt fabric or premium woven white fabric that is delicately balanced over a contrasting hand-crafted solid wood base in oak or walnut. Belmont's unique base also features full range dimming to set the perfect ambiance while two convenient USB ports offer charging capability for all your mobile devices. Belmont Table sits perfectly in residential as well as hospitality and contract environments offering a low sitting light solution that focuses on indirect upward light with a warm and bright glow. Three standard shade colors are interchangeable with 2 wood base finishes.

FIXTURE TYPE

Table

LIGHT SOURCE

(2) Feit E26 medium base A19/A21 Classic bulbs, 15W (100W equivalent) 1600 lm per bulb
Optional: (2) Satco BT-15 Halogen, 72W, 1490 lm per bulb

LIGHT CONTROL

In-line dimmer
Full range dimming (100-10%)

FEATURES

(2x) USB charging ports
Full range dimming

SPECIFICATIONS

Voltage: 120 or 240V 50/60Hz
Power Consumption: 30W (2x 15W LED bulbs)
Color Temperature: 2900K
Luminosity: 3200 Lumens
Luminaire efficacy: 106 Lumens/Watt
Color Rendition Index: 90 CRI
Cable Length: 9' (2.7m)

CERTIFICATIONS



PACKAGING WEIGHT AND DIMENSIONS

| | | |
|---------------|-------|------------------------|
| Belmont Table | 11LBS | 22.5" X 17" X 8.5" |
| | 5KG | 57.2cm X 43cm X 17.8cm |



FINISHES

WOOD



OAK



WALNUT

FABRIC



CHARCOAL



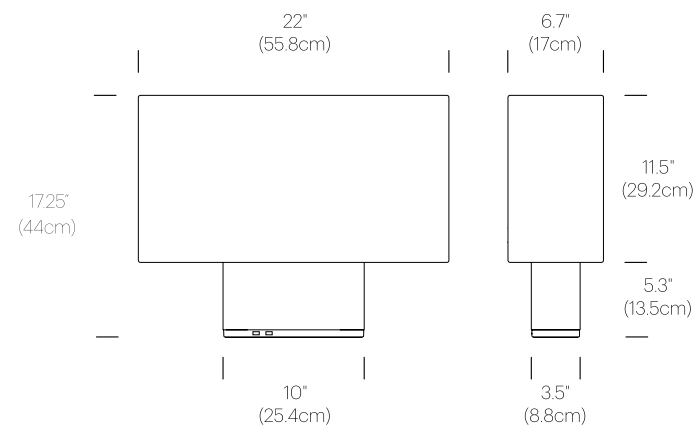
SILVERDALE



WHITE

DIMENSIONS

BELMONT TABLE



NOTES

Custom requests can be considered on volume orders



BELMONT FLOOR

DESCRIPTION

An elegant interplay of proportion and material, Belmont Floor's timeless design is perfectly at home in both modern and traditional settings. Its iconic raceway shade form is lined with premium felted wool or premium woven white fabric that is delicately balanced over a graceful tri-pod leg assembly hand-crafted from solid oak or walnut. Belmont Floor's majestic frame stands at a 62.5" (159cm) height providing warm and bright illumination that's fully dimmable to set the perfect ambiance in any living area. Perfectly suited for residential and hospitality environments alike, Belmont Floor is offered in three luxurious shade colors with rich wooden finishes.

FIXTURE TYPE

Table

LIGHT SOURCE

(2) Feit E26 medium base A19/A21 Classic bulbs, 15W (100W equivalent) 1600 lm per bulb
Optional: (2) Satco BT-15 Halogen, 72W, 1490 lm per bulb

LIGHT CONTROL

In-line foot switch
Full range dimming (100-10%)

FEATURES

Ambient direct and indirect light source
ships flat-packed

SPECIFICATIONS

Voltage: 120 or 240V 50/60Hz
Power Consumption: 30W (2x 15W LED bulbs)
Color Temperature: 2900K
Luminosity: 3200 Lumens
Luminaire efficacy: 106 Lumens/Watt
Color Rendition Index: 90 CRI
Cable Length: 9' (2.7m)

CERTIFICATIONS



PACKAGING WEIGHT AND DIMENSIONS

| | | |
|--------------------|---------|------------------------|
| Belmont Floor | 7.7LBS | 22.5" X 17" X 8.5" |
| (shade and socket) | 3.5KG | 57.2cm X 43cm X 17.8cm |
| Belmont Floor | 5.7 LBS | 28.9" X 4.1" X 3.9" |
| (legs) | 2.4KG | 73.5cm X 10.3cm X 10cm |

NOTES

Custom requests can be considered on volume orders



FINISHES

WOOD



OAK



WALNUT

FABRIC



CHARCOAL



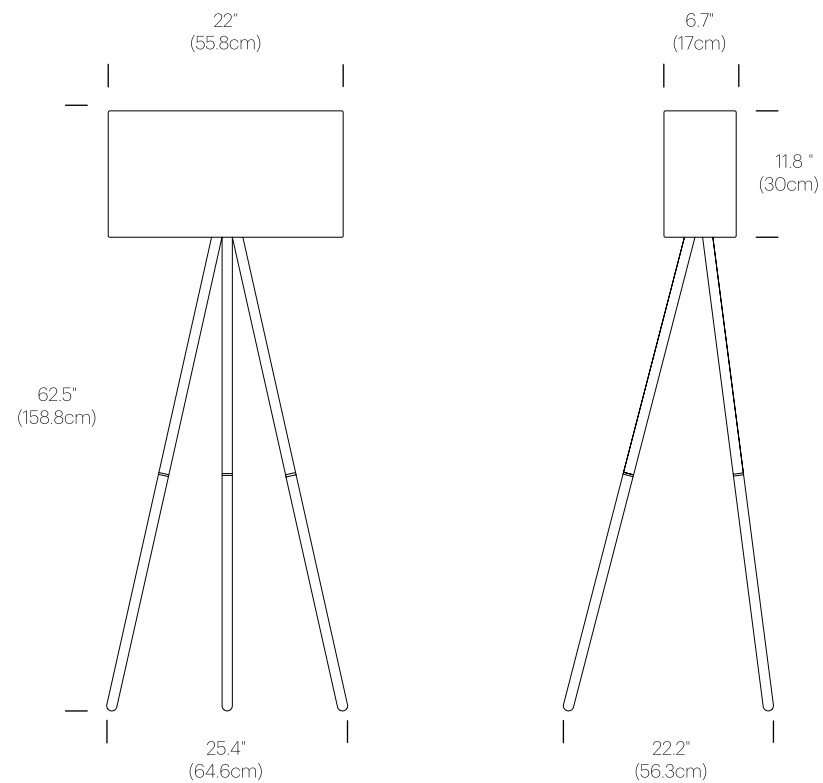
SILVERDALE



WHITE

DIMENSIONS

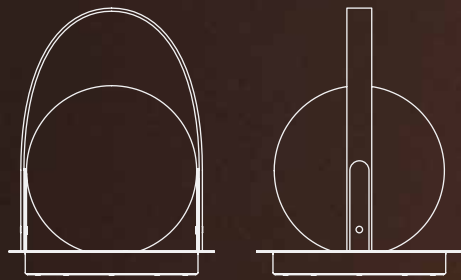
BELMONT FLOOR



BOLA LANTERN

Based on the Bola Sphere Table 8, the Bola Lantern adds a premium leather handle and a rechargeable battery that enables a level of portability new to the Bola Family. Bola Lantern's size and stature give a sense of presence that is unbound with portables, while maintaining the lightness associated with the floating orbs that are Bola. Discs are available in chrome, brass, gunmetal, and matte black. The leather handles are available in a natural vegetable tanned leather and black. Battery life ranges from 10 - 300+ hours depending on light intensity. Bola Lantern produces 280 lumens of warm ambient light.

Designer:
Pablo Pardo + Pablo Studio 2021



BOLA LANTERN

DESCRIPTION

Based on the Bola Sphere Table 8, the Bola Lantern adds a premium leather handle and a rechargeable battery that enables a level of portability new to the Bola Family. Bola Lantern's size and stature give a sense of presence that is unfound with portables, while maintaining the lightness associated with the floating orbs that are Bola. Discs are available in chrome, brass, gunmetal, and matte black. The leather handles are available in a natural vegetable tanned leather and black. Battery life ranges from 10 - 300+ hours depending on light intensity. Bola Lantern produces 280 lumens of warm ambient light.

FIXTURE TYPE

Portable

LIGHT SOURCE

LED High-Output chip on board

LIGHT CONTROL

Mechanical push button

Full range dimming (100-10%)

4-stage dimming (100/40/20/3%)

FEATURES

Portable and rechargeable

10-300+hr Battery life

USB charging cable included

Surface mount

SPECIFICATIONS

Voltage: 120 or 240V 50/60Hz

Power Consumption: 3.2W

Color Temperature: 2700-1800K (warm dim)

Luminosity: 280 Lumens

Luminaire Efficacy: 87 Lumens/Watt

Color Rendition Index: 95 CRI

Cord length 6' (1.8m)

IP 54 Damp rating

CERTIFICATIONS



PACKAGING WEIGHT AND DIMENSIONS

| | | |
|--------------|-------|---------------------|
| Bola Lantern | 4LBS | 10" X 10.8" X 14.5" |
| | 1.8KG | 25cm X 25cm X 37cm |



FINISHES

LEATHER HANDEL



BLACK



TAN

DISC



GUNMETAL



CHROME



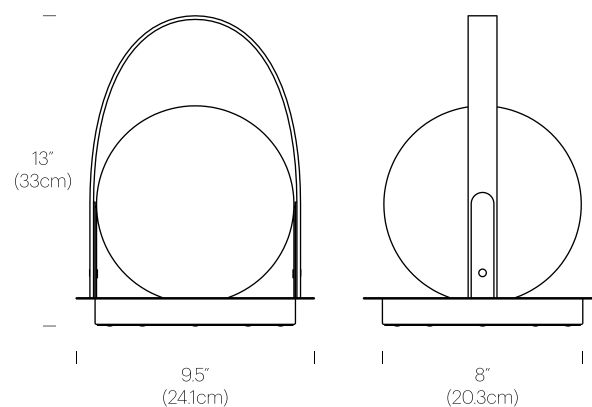
MATTE BLACK



BRASS

DIMENSIONS

BOLA LANTERN



NOTES

Custom requests can be considered on volume orders



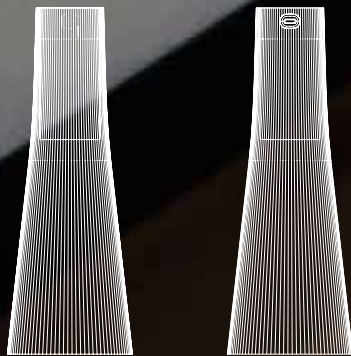


CANDÉL

Inspired by a cone of light, Candél's graceful vessel-like silhouette is in perfect harmony with its surroundings allowing the environment to filter through. Candél casts a warm, intimate candle-like glow that's sure to seduce and become the central focus of any social gathering. Candél is a fully rechargeable portable LED light designed for both indoors and outdoors. Features a robust PMMA body in Clear or Bronze tint combined with a striking anodized aluminum light module that offers capacitive touch light control to provide up to 4 light levels to set the perfect ambiance. Battery life ranges from 10 to 150+ hours depending on light intensity.

Designer:
Pablo Pardo + Pablo Studio 2020

Awards:
2020 Hospitality Design Product Award



CANDÉL

DESCRIPTION

Candél is a fully rechargeable portable LED light designed for both indoors and outdoors. Features a robust PMMA body in clear and Bronze tint combined with a striking anodized aluminum light and battery module that features capacitive touch technology for adjusting light intensity. Battery life: 10-150+ hours depending on light intensity.

FIXTURE TYPE

Portable

LIGHT SOURCE

LED High-Output chip on board

LIGHT CONTROL

Capacitive touch switch
4-stage dimming (100/70/30/7%)

FEATURES

Portable and rechargeable
10-150+hr battery life
USB charging cable included

SPECIFICATIONS

Voltage: 120-240V 50/60Hz
Power Consumption: 1.5W
Color Temperature: 2500-1800K (Warm Dim)
Luminosity: 100 Lumens
Luminaire Efficacy: 48 Lumens/Watt
Color Rendition Index: 94 CRI
Cable length: 6' (183cm)
IP54 damp rated

CERTIFICATIONS



PACKAGING WEIGHT AND DIMENSIONS

| | | |
|---------|--------|-------------|
| Candél: | 1.5LBS | 4" X 11.8" |
| | .68KG | 10cm X 30cm |



FINISHES

CANDEL



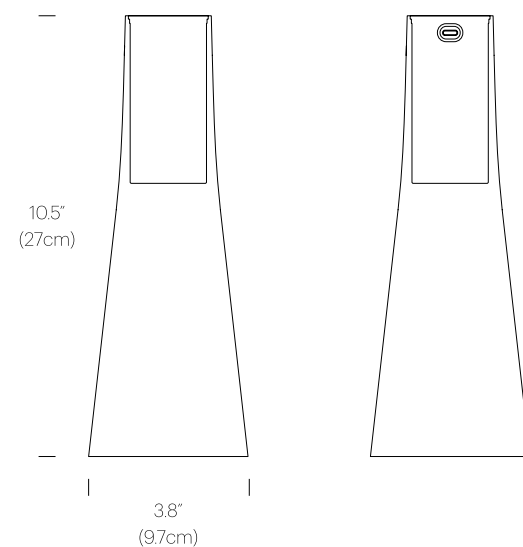
CLEAR/SILVER



BRONZE/BRASS

DIMENSIONS

CANDEL



NOTES

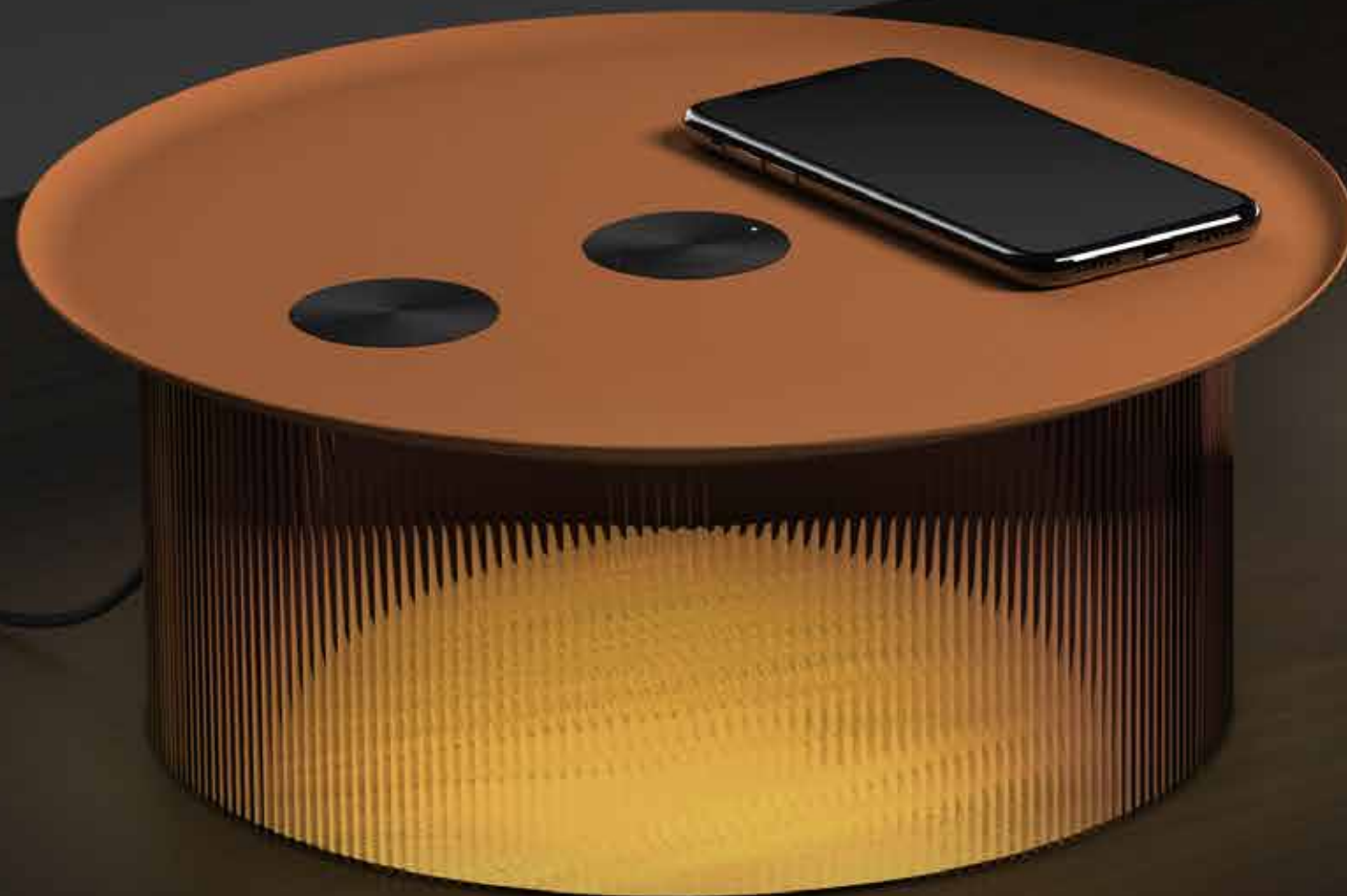
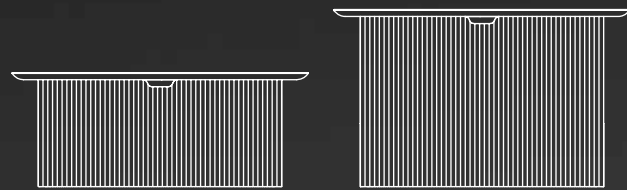
Custom requests can be considered on volume orders



CAROUSEL

Carousel blurs the line between ambiance and utility combining a low setting wireless charging tray surface for your mobile devices with warm, glare-free illumination. It's low profile LED light module is discreetly concealed below its mating tray and suspended atop a transparent fluted acrylic cylinder diffuser that radiates mesmerizing light patterns onto the table surface below. Perfectly suited for desktop or bedside use, Carousel embodies a uniquely hybrid perspective on what a personal light can be. The base diffuser is offered in both clear and bronze tint and can be paired with a spun steel tray in matte white, terra cotta, and graphite finishes.

Designer:
Pablo Pardo + Pablo Studio 2021



CAROUSEL

DESCRIPTION

Carousel blurs the line between ambiance and utility combining a low setting wireless charging tray surface for your mobile devices with warm, glare-free illumination. It's low profile LED light module is discreetly concealed below its mating tray and suspended atop a transparent fluted acrylic cylinder diffuser that radiates mesmerizing light patterns onto the table surface below. Perfectly suited for desktop or bedside use, Carousel embodies a uniquely hybrid perspective on what a personal light can be. The base diffuser is offered in both clear and bronze tint and can be paired with a spun steel tray in matte white, terra cotta, and graphite finishes.

FIXTURE TYPE

Table

LIGHT SOURCE

High output LED array

LIGHT CONTROL

Capacitive touch switch

FEATURES

Wireless charging w/ indicator light (2)

SPECIFICATIONS

Voltage: 120-240V 50/60Hz
 Power Consumption: 3.2W
 Color Temperature: 2700-1800K
 Luminosity: 225 Lumens
 Luminaire Efficacy: 110 Lumens/Watt
 Color Rendition Index: 90 CRI
 Cable length: 6' (183cm)

CERTIFICATIONS

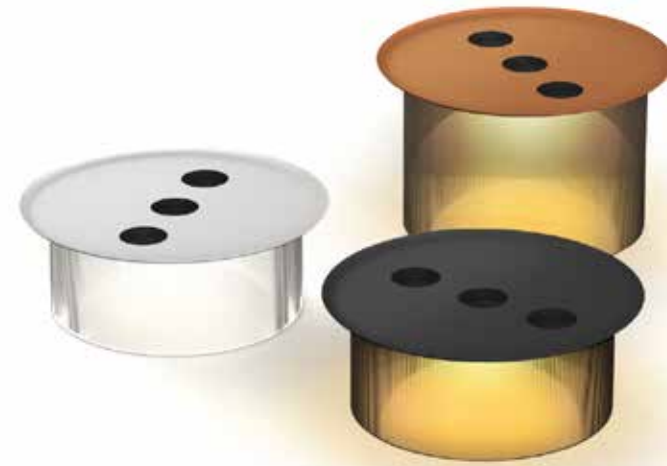


PACKAGING WEIGHT AND DIMENSIONS

| | | |
|---------------|----------------|---------------------------------------|
| Carousel 110: | 4.5LBS 2KG | 14" X 14" X 12" 35cm X 35cm X 30cm |
| Carousel 175: | 5LBS 2.25KG | 14" X 14" X 12" 35cm X 35cm X 30cm |

NOTES

Custom requests can be considered on volume orders
 *Available January 2022



FINISHES

CANDEL



CLEAR/
WHITE



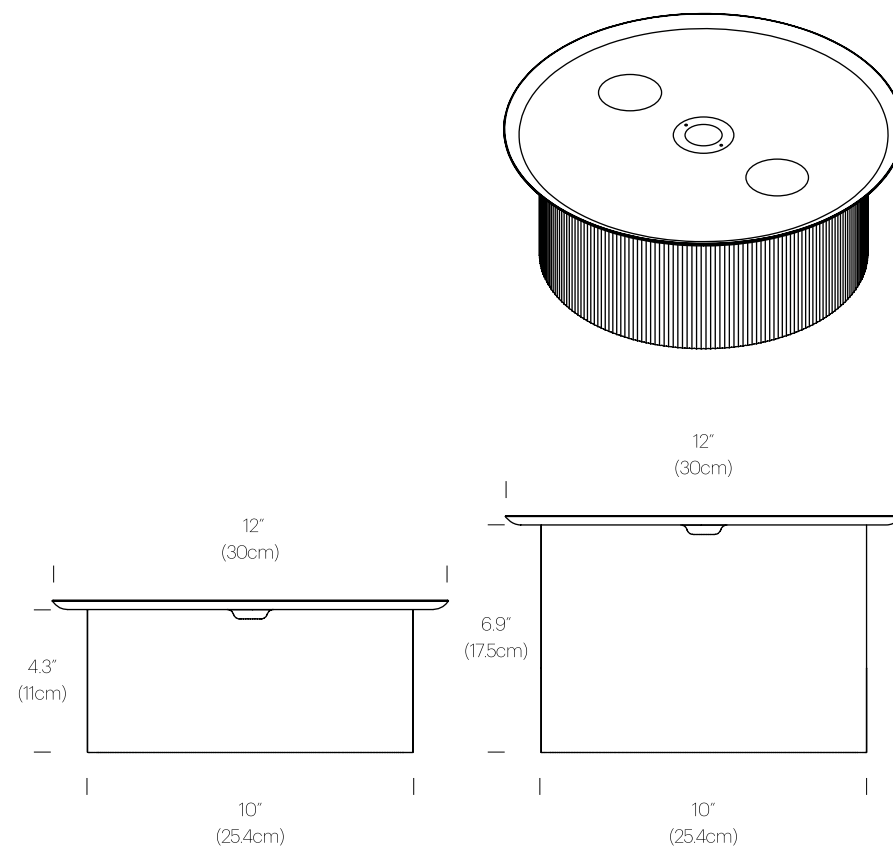
BRONZE/
GRAPHITE



BRONZE/
TERRA COTTA

DIMENSIONS

CAROUSEL



LUCI

Luci is a portable lamp that allows you to take your ambiance wherever you go. Just as happy indoors as out, Luci will gracefully place a soft spot of illumination where desired. Its reductive form is reflective of Pablo's legacy in pendant lighting while its portability provides an insight into the future of interior illumination. Luci is activated via optical touch switch located atop the shade. Luci will be offered in three machine trace finishes in silver, brass, and black as well as a painted white.

Designer:
Pablo Pardo + Pablo Studio 2021



LUCI TABLE

DESCRIPTION

Luci Table is a portable lamp that allows you to take your ambiance wherever you go. Just as happy indoors as out, Luci will gracefully place a soft spot of illumination where desired. Its reductive form is reflective of Pablo's legacy in pendant lighting while its portability provides an insight into the future of interior illumination. Luci is activated via optical touch switch located atop the shade. Luci Table will be offered in three machine trace finishes in silver, brass, and black as well as a painted white.

FIXTURE TYPE

Table

LIGHT SOURCE

Flat Panel LED

LIGHT CONTROL

Optical switch

Full range dimming (100-10%)

3-stage dimming (100/40/10%)

FEATURES

Portable and rechargeable

SPECIFICATIONS

Voltage: 120-240V 50/60Hz

Power Consumption: 2.1W

Color Temperature: 2700K - 2200K (Warm dim)

Luminosity: 150 Lumens

Luminaire efficacy: 57 Lumens/Watt

Color Rendition Index: 90+ CRI

Cable Length: 6' (182cm)

CERTIFICATIONS



PACKAGING WEIGHT AND DIMENSIONS

| | | |
|-------------|--------|---------------------|
| Luci Table: | 2.5LBS | 5.5" X 5.5" X 11.5" |
| | 1.1KG | 14cm X 14cm X 30cm |



FINISHES

LUCI TABLE



BLACK



WHITE



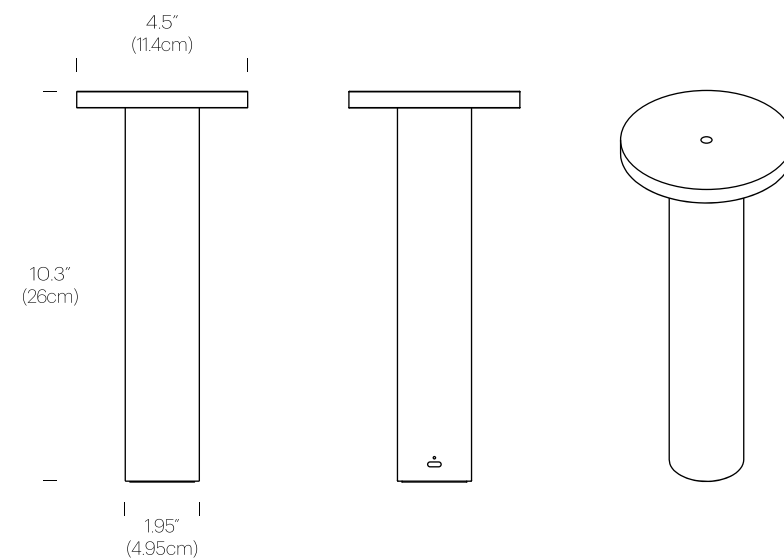
SILVER



BRASS

DIMENSIONS

LUCI TABLE



NOTES

Custom requests can be considered on volume orders

*Available November 2021

LUCI FLOOR

DESCRIPTION

The Luci is a portable lamp that allows you to take your ambiance wherever you go. Just as happy indoors as it is for light outdoor activities, Luci will gracefully place illumination where you need it. Offered in a variety of painted colors to compliment your interior or exterior spaces, Luci is at home in your office, hospitality, residential, or outdoor entertaining space.

FIXTURE TYPE

Floor

LIGHT SOURCE

Flat panel LED

LIGHT CONTROL

Optical switch

Full range dimming (100-10%)

3-stage dimming (100/40/10%)

FEATURES

Portable and rechargeable

SPECIFICATIONS

Voltage: 120-240V 50/60Hz

Power Consumption: 5.3W

Color Temperature: 2700K-2200K (warm dim)

Luminosity: 350 Lumens

Luminaire efficacy: 57 Lumens/Watt

Color Rendition Index: 9+ CRI

Cable Length: 9'(2.7m)

IP54 Damp rating

CERTIFICATIONS



PACKAGING WEIGHT AND DIMENSIONS

| | | |
|-------------|------|---------------------|
| Luci Floor: | 7LBS | 11" X 23" X 3" |
| | 3KG | 28cm X 58cm X 7.6cm |

NOTES

Custom requests can be considered on volume orders

*Available November 2021



FINISHES

LUCI FLOOR



WHITE



BLACK



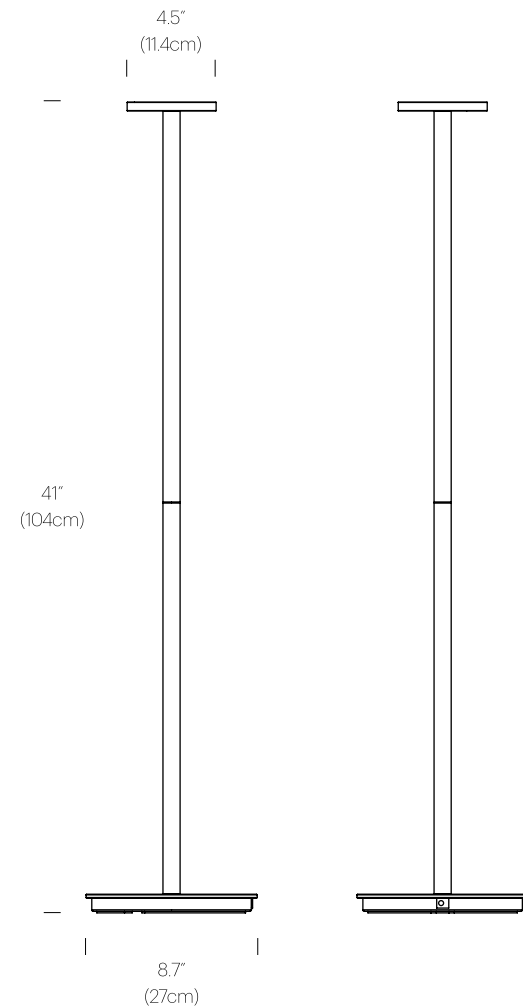
BRASS



SILVER

DIMENSIONS

LUCI FLOOR

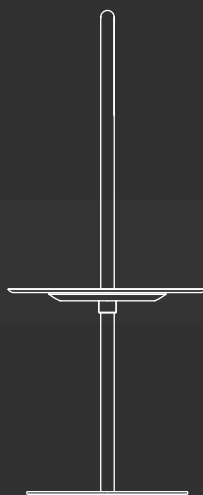




NIVÉL

At the intersection of functional lighting and furniture, you find Nivel. As an adjustable height side table, Nivel provides a totem to gather around. Sturdy enough to rest a few beverages atop while nimble enough to be raised or lowered at a moment's notice. Its cleverly designed light module rests securely fastened around a solid wood post fastened to a powder-coated steel base for added footing. A soft ambient downward facing light panel completes the package, bringing an unobtrusive light source to your home or office space. The post is offered in both solid oak and walnut and can be paired with a powder-coated tray in white, terra cotta, and graphite.

Designer:
Pablo Pardo + Pablo Studio 2021



NIVEL

DESCRIPTION

At the intersection of functional lighting and furniture, you find Nivel. As an adjustable height side table, Nivel provides a totem to gather around. Sturdy enough to rest a few beverages atop while nimble enough to be raised or lowered at a moment's notice. Its cleverly designed light module rests securely fastened around a solid wood post fastened to a powder-coated steel base for added footing. A soft ambient downward facing light panel completes the package, bringing an unobtrusive light source to your home or office space. The post is offered in both solid oak and walnut and can be paired with a powder-coated tray in white, terra cotta, and graphite.

FIXTURE TYPE

Portable

LIGHT SOURCE

High output LED array

LIGHT CONTROL

Capacitive touch switch
Full range dimming (100-10%)
3-stage dimming (100/40/10%)

FEATURES

Portable and rechargeable
Adjustable height tray surface
USB-C charging port

SPECIFICATIONS

Voltage: 120-240V 50/60Hz
Power Consumption: 3.2W
Color Temperature: 2700-1800K (warm dim)
Luminosity: 225 Lumens
Luminaire Efficacy: 87 Lumens/Watt
Color Rendition Index: 95 CRI
Cord length 9' (2.7m)
IP 54 Damp rating

CERTIFICATIONS



PACKAGING WEIGHT AND DIMENSIONS

| | | |
|-----------------------|--------|--------------------|
| Nivel | 4.5LBS | 14" X 14" X 12" |
| (Lamp, base and tray) | 2KG | 35cm X 35cm X 30cm |
| Nivel | 1.5LBS | 2" X 2" X 50" |
| (Post) | .7KG | 5cm X 5cm X 127cm |

NOTES

Custom requests can be considered on volume orders
*Available January 2022



FINISHES

NIVEL



OAK/
WHITE



OAK/
TERRA COTTA



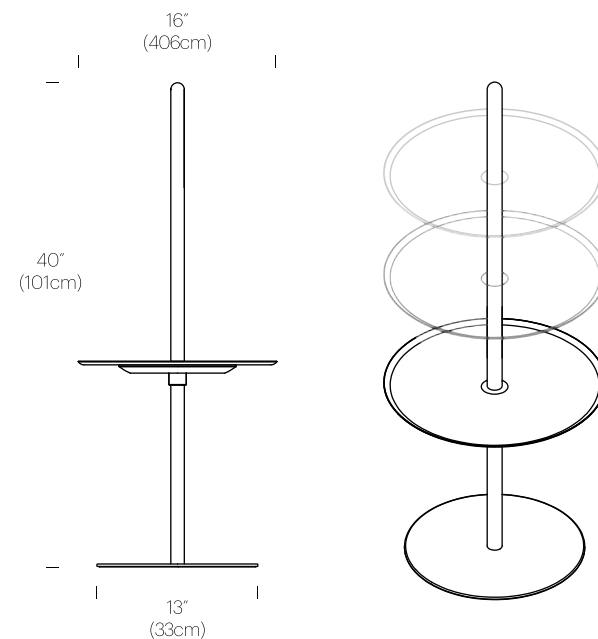
WALNUT/
TERRA COTTA



WALNUT/
GRAPHITE

DIMENSIONS

NIVEL

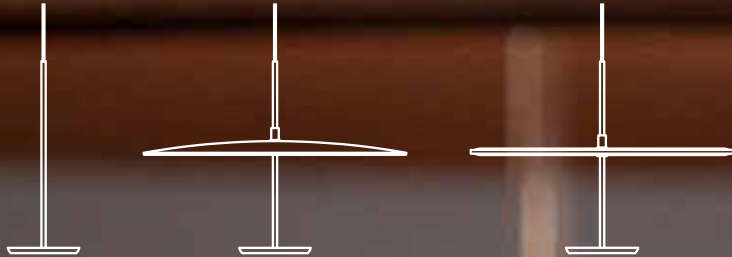


SKY

The Sky Collection was inspired as a modular pendant lighting system and Sky Solo is the core foundational element. Its minimal all-aluminum design highlights a powerful two-sided flat panel light source with Dim to Warm LED technology that can deliver up to 1250 lumens of warm ambient light in all directions. Sky Solo can be suspended individually, in series, or as striking chandelier groupings for residential, contract, and hospitality settings alike. Solo's light element can also be combined with a wide range of premium shade reflectors in metal, wood, and acoustic felt to provide an extraordinary breadth of performance and decorative solutions for residential, office, and hospitality settings alike.

Designer:
Pablo Pardo + Pablo Studio 2020

Awards:
2020 IDA Award
2020 NYCxDESIGN Award



SKY SOLO

DESCRIPTION

The Sky Collection was inspired as a modular pendant lighting system and Sky Solo is its core foundational element. Its minimal all-aluminum design highlights a powerful two-sided flat panel light source with Dim to Warm LED technology that can deliver up to 1250 lumens of warm ambient light in all directions. Sky Solo can be suspended individually, in series, or as striking chandelier groupings for residential, contract, and hospitality settings alike. Solo's light element can also be combined with a wide range of premium shade reflectors in metal, wood and acoustic felt to provide an extraordinary breadth of performance and decorative solutions.

FIXTURE TYPE

Pendant

LIGHT SOURCE

LED Flat-Panel

LIGHT CONTROL

Hard-wired
Fully dimmable

FEATURES

Dim-to-Warm (DTW) Light Source
Uplight/Downlight
Energy-efficient, flat panel technology
Glare-free illumination

SPECIFICATIONS

Voltage: 120 or 240V 50/60Hz
(100-277V 50/60Hz Available upon request)
Power Consumption: 18W MAX
Color Temperature: 2700-2200K (warm dim)
Note: 3000K CCT models and 2700 CCT models Available Upon Request
Luminosity: 1250 Lumens (850 down/400 up)
Luminaire efficacy: 58 Lumens/Watt
Color Rendition Index: 90 CRI
50K hour lifespan
Cable Length: 10' (3m) (Field cuttable)
ELV Dimmer recommended

CERTIFICATIONS



PACKAGING WEIGHT AND DIMENSIONS

| | | |
|----------|--------|--------------------|
| Sky Solo | 3.1LBS | 10.2" X 19" X 2.4" |
| | 1.4KG | 26cm X 48cm X 6cm |

NOTES

Custom requests can be considered on volume orders



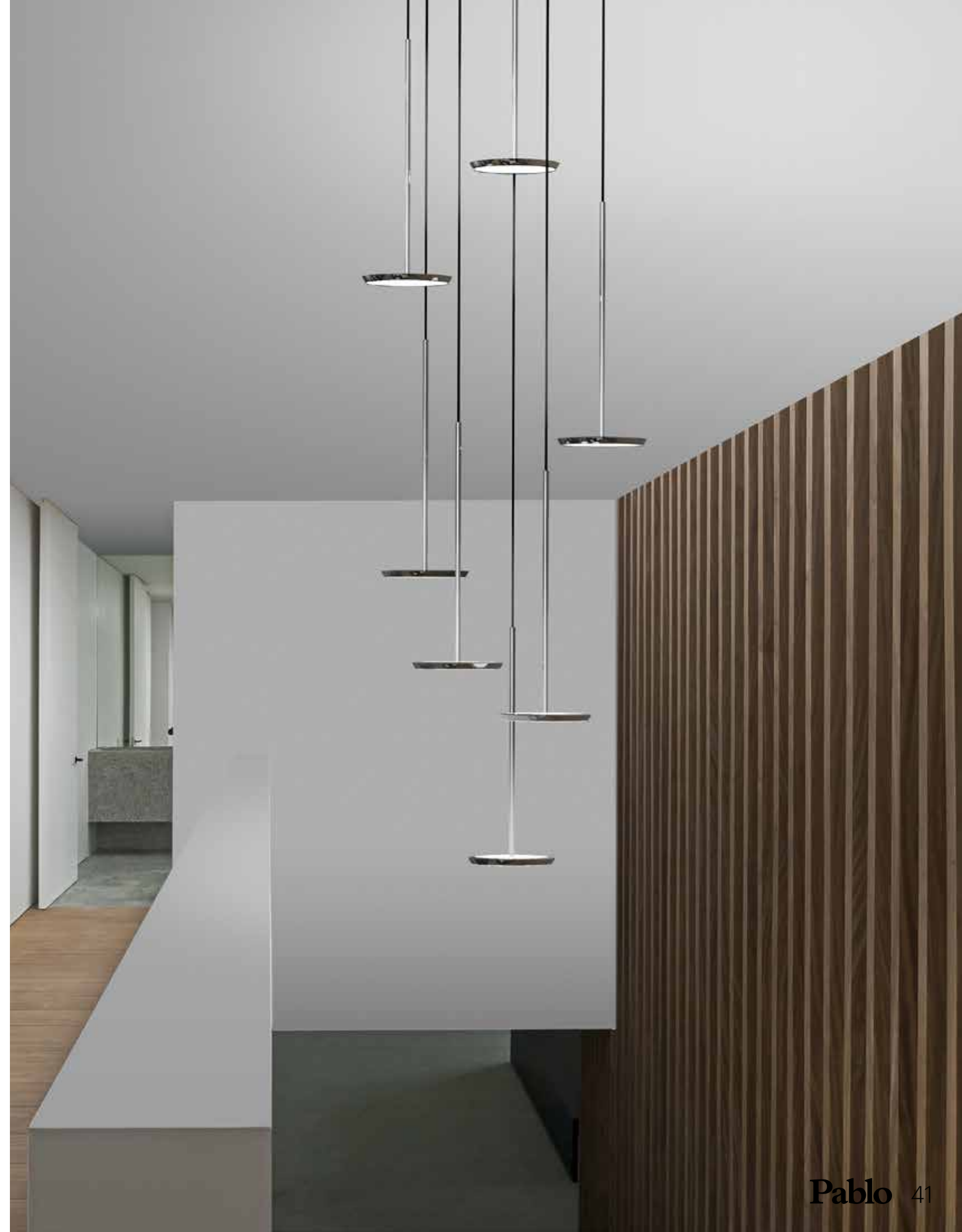
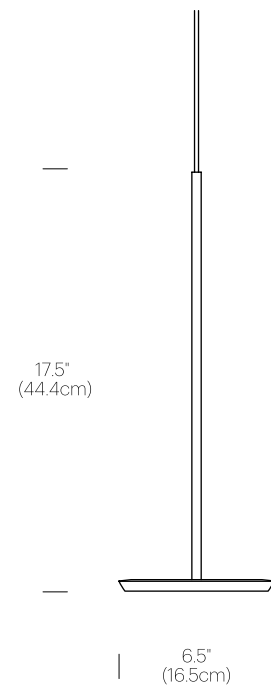
FINISHES



POLISHED ALUMINUM

DIMENSIONS

SKY SOLO



SKY DOME METAL

DESCRIPTION

The Sky Collection is a modular pendant lighting system featuring multiple shade reflector solutions for various decorative and performance benefits. Sky Dome is available in both spun aluminum and pressed wood shade reflectors that when combined with their powerful 2-sided LED light source gives the lamp a weightless appearance while providing unparalleled illumination in all directions. Sky Dome combined form and function with unsurpassed quality and is available in 3 sizes : 18" (45.8cm)/24" (61cm)/32" (81cm).

FIXTURE TYPE

Pendant

LIGHT SOURCE

LED Flat-Panel downlight/High-output LED array uplight

MODELS

Sky Dome 18 Metal
 Sky Dome 24 Metal
 Sky Dome 32 Metal

LIGHT CONTROL

Hard-wired
 Fully dimmable

FEATURES

Dim-to-Warm (DTW) Light Source
 Uplight/Downlight
 Energy-efficient, flat panel technology
 Glare-free illumination

SPECIFICATIONS

Voltage: 120 or 240V 50/60Hz
 (100-277V 50/60Hz Available upon request)
 Power Consumption: 18W MAX
 Color Temperature: 2700-2200K (warm dim)
Note: 3000K CCT models and 2700 CCT models Available Upon Request
 Luminosity: 1250 Lumens (850 down/400 up)
 Luminaire efficacy: 58 Lumens/Watt
 Color Rendition Index: 90 CRI
 50K hour lifespan
 Cable Length: 10' (3m) (Field cuttable)
 ELV Dimmer recommended

CERTIFICATIONS



PACKAGING WEIGHT AND DIMENSIONS

| | | |
|-------------------|--------|-----------------------|
| Sky Solo | 3.1LBS | 10.2" X 19" X 2.4" |
| (Lamp) | 1.4KG | 26cm X 48cm X 6cm |
| Sky Dome Metal 18 | 3.1LBS | 21.3" X 20.4" X 2.9" |
| (Shade) | 1.4KG | 54cm X 52cm X 7.3cm |
| Sky Dome Metal 24 | 5.1LBS | 27.1" X 26.4" X 3.25" |
| (Shade) | 2.3KG | 69cm X 67cm X 8.2cm |
| Sky Dome Metal 32 | 9.5LBS | 35" X 34.8" X 3.9" |
| (Shade) | 4.3KG | 89cm X 88cm X 10cm |

NOTES

Custom requests can be considered on volume orders



FINISHES

LAMP



POLISHED ALUMINUM

DOME



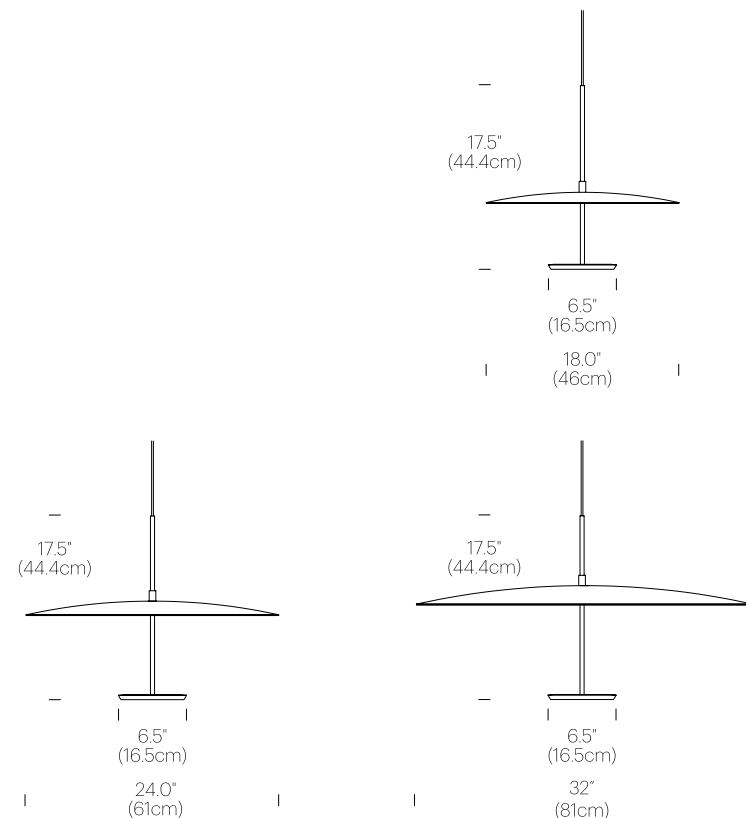
BLACK



WHITE

DIMENSIONS

SKY DOME METAL 18, 24, 32



SKY DOME WOOD

DESCRIPTION

The Sky Collection is a modular pendant lighting system featuring multiple shade reflector solutions for various decorative and performance benefits. Sky Dome is available in both spun aluminum and pressed wood shade reflectors that when combined with their powerful 2-sided LED light source gives the lamp a weightless appearance while providing unparalleled illumination in all directions. Sky Dome combined form and function with unsurpassed quality and is available in 2 sizes : 18" (45.8cm) and 24" (61cm).

FIXTURE TYPE

Pendant

LIGHT SOURCE

LED Flat-Panel downlight/High-output LED array uplight

MODELS

Sky Dome 18 Wood
Sky Dome 24 Wood

LIGHT CONTROL

Hard-wired
Fully dimmable

FEATURES

Dim-to-Warm (DTW) Light Source
Uplight/Downlight
Energy-efficient, flat panel technology
Glare-free illumination

SPECIFICATIONS

Voltage: 120 or 240V 50/60Hz
(100-277V 50/60Hz Available upon request)
Power Consumption: 18W MAX
Color Temperature: 2700-2200K (warm dim)
Note: 3000K CCT models and 2700 CCT models Available Upon Request
Luminosity: 1250 Lumens (850 down/400 up)
Luminaire efficacy: 58 Lumens/Watt
Color Rendition Index: 90 CRI
50K hour lifespan
Cable Length: 10' (3m) (Field cuttable)
ELV Dimmer recommended

CERTIFICATIONS



PACKAGING WEIGHT AND DIMENSIONS

| | | |
|------------------|--------|-----------------------|
| Sky Solo | 3.1LBS | 10.2" X 19" X 2.4" |
| (Lamp) | 1.4KG | 26cm X 48cm X 6cm |
| Sky Dome Wood 18 | 3.3LBS | 21.3" X 20.4" X 2.9" |
| (Shade) | 1.4KG | 54cm X 52cm X 7.3cm |
| Sky Dome Wood 24 | 5.5LBS | 27.1" X 26.4" X 3.25" |
| (Shade) | 2.5KG | 69cm X 67cm X 8.2cm |

NOTES

Custom requests can be considered on volume orders



FINISHES

LAMP



POLISHED ALUMINUM

DOME



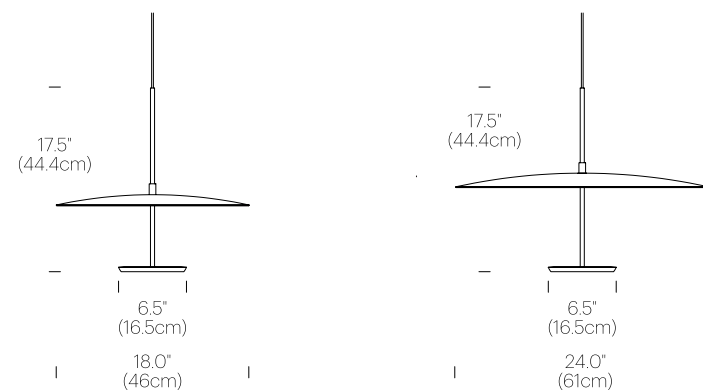
WALNUT



WHITE OAK

DIMENSIONS

SKY DOME WOOD 18, 24



SKY SOUND

DESCRIPTION

The Sky Collection is a modular pendant lighting system featuring multiple shade reflector solutions for various decorative and performance benefits. Sky Sound combines Acoustic performance with powerful omnidirectional illumination to provide a one of a kind pendant solution that minimizes ambient noise and contributes to a positive workspace. Its elegant PET felted disc shade is suspended by a polished aluminum mast and is available in 18" (45.8cm)/24" (61cm)/32" (81cm) sizes with rich and vibrant colorways to create a harmonious environment of light and quiet to enhance our wellbeing.

FIXTURE TYPE

Pendant

LIGHT SOURCE

LED Flat-Panel downlight/High-output LED array uplight

MODELS

Sky Sound 18
Sky Sound 24
Sky Sound 32

LIGHT CONTROL

Hard-wired
Fully dimmable

FEATURES

Dim-to-Warm (DTW) Light Source
Uplight/Downlight
Energy-efficient, flat panel technology
Glare-free illumination

SPECIFICATIONS

Voltage: 120 or 240V 50/60Hz
(100-277V 50/60Hz Available upon request)
Power Consumption: 18W MAX
Color Temperature: 2700-2200K (warm dim)
Note: 3000K CCT models and 2700 CCT models Available Upon Request
Luminosity: 1250 Lumens (850 down/400 up)
Luminaire efficacy: 58 Lumens/Watt
Color Rendition Index: 90 CRI
50K hour lifespan
Cable Length: 10' (3m) (Field cuttable)
ELV Dimmer recommended

CERTIFICATIONS



PACKAGING WEIGHT AND DIMENSIONS

| | | |
|--------------|--------|-----------------------|
| Sky Solo | 3.1LBS | 10.2" X 19" X 2.4" |
| (Lamp) | 1.4KG | 26cm X 48cm X 6cm |
| Sky Sound 18 | 2.5LBS | 21.3" X 20.4" X 2.9" |
| (Shade) | 1.9KG | 54cm X 52cm X 7.3cm |
| Sky Sound 24 | 4.1LBS | 27.1" X 26.4" X 3.25" |
| (Shade) | 2.4KG | 69cm X 67cm X 8.2cm |
| Sky Sound 32 | 7.2LBS | 35" X 34.8" X 3.9" |
| (Shade) | 3.3KG | 89cm X 88cm X 9.8cm |

NOTES

Custom requests can be considered on volume orders



FINISHES

LAMP



SHADE



ANTHRACITE



STONE



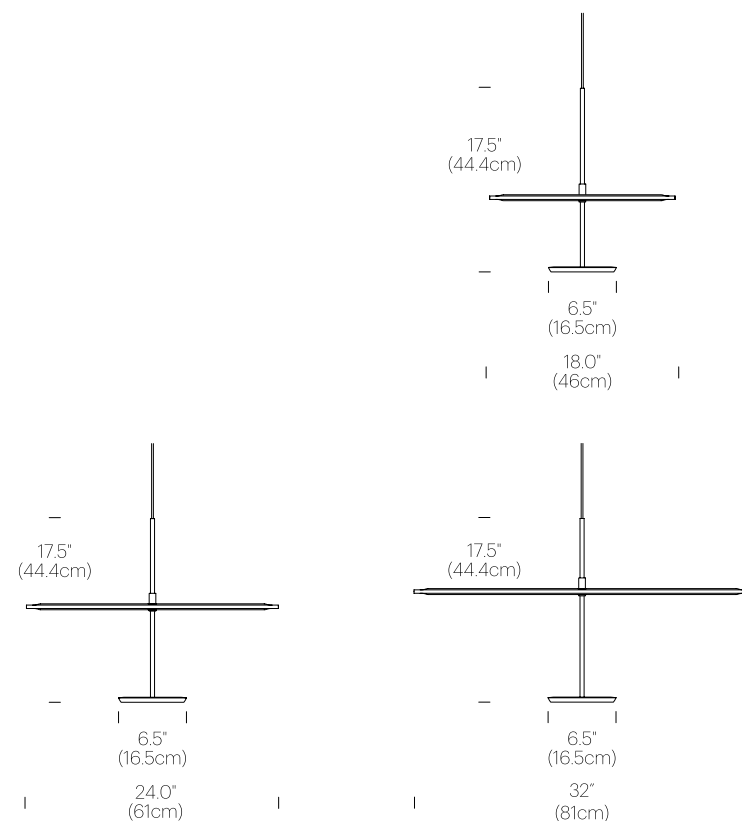
TURQUIOSE



CHESTNUT

DIMENSIONS

SKY SOUND 18, 24, 32



TALIA

Talia's refined and compact design embraces only the essential elements to fulfill its purpose. Smart and powerful, Talia is designed for maximum light control, pairing fully dimmable and glare-free flat panel technology with 360° post rotation and 180° shade rotation to satisfy both task and ambient lighting needs alike. Talia Table also features wireless induction charging to accommodate mobile devices + USB port for added convenience. Available in both Table and Floor standing models, Talia is offered in 6 elegant colorway and metallic accent combinations to provide a refined touch to any setting and decor.

Designer:
Pablo Pardo + Carmine Deganello + Pablo Studio 2020

Awards:
2021 European Product Design Award



TALIA TABLE

DESCRIPTION

Talia's refined and compact design embraces only the essential elements to fulfill its purpose. Smart and powerful, Talia is designed for maximum light control, pairing fully dimmable and glare-free flat panel technology with 360° post rotation and 180° shade rotation to satisfy both task and ambient lighting needs alike. Talia Table also features wireless induction charging to accommodate mobile devices + USB port for added convenience. Available in both Table and Floor standing models, Talia is offered in 6 elegant colorway and metallic accent combinations to provide a refined touch to any setting and decor.

FIXTURE TYPE

Table

LIGHT SOURCE

Flat Panel LED

LIGHT CONTROL

Optical switch

Full range dimming (100-10%)

2-stage dimming (100/40%)

FEATURES

Wireless charging w/ indicator light

USB charging port

360° post rotation

180° shade rotation

ADA compliant

6 hour auto off

SPECIFICATIONS

Voltage: 120/240V 50-60Hz

Power Consumption: 5.1W MAX

Color temperature: 3000K

Luminosity: 350 Lumens

Luminaire efficacy: 51 Lumens/Watt

Color Rendition Index: 90 CRI

Cable length: 6'(183cm)

Power supply: 24W

CERTIFICATIONS



PACKAGING WEIGHT AND DIMENSIONS

| | | |
|-------------|--------|---------------------|
| Talia Table | 3.2LBS | 18" X 8.1" X 2.2" |
| | 1.5KG | 46cm X 20.5cm X 6cm |

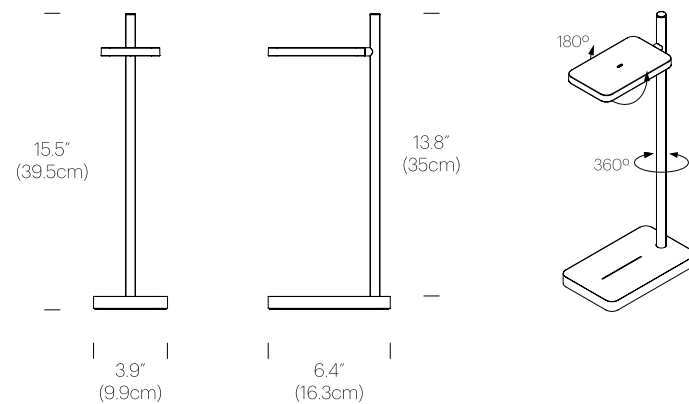


FINISHES



DIMENSIONS

TALIA TABLE



NOTES

Custom requests can be considered on volume orders

TALIA FLOOR

DESCRIPTION

Talia's refined and compact design embraces only the essential elements to fulfill its purpose. Smart and powerful, Talia is designed for maximum light control, pairing fully dimmable and glare-free flat panel technology with 360° post rotation and 180° shade rotation to satisfy both task and ambient lighting needs alike. Talia is offered in 6 elegant colorway and metallic accent combinations to provide a refined touch to any setting and decor.

FIXTURE TYPE

Floor

LIGHT SOURCE

Flat panel LED

LIGHT CONTROL

Optical switch
Full range dimming (100-10%)
2-stage dimming (100/40%)

FEATURES

360° post rotation
180° shade rotation
ADA compliant
Flat Panel LED
6 hour auto off

SPECIFICATIONS

Voltage: 120/240V 50-60Hz
Power Consumption: 5.1W MAX
Color temperature: 3000K
Luminosity: 350 Lumens
Luminaire efficacy: 51 Lumens/Watt
Color Rendition Index: 90 CRI
Cable length: 6'(183cm)
Power supply: 24W

CERTIFICATIONS

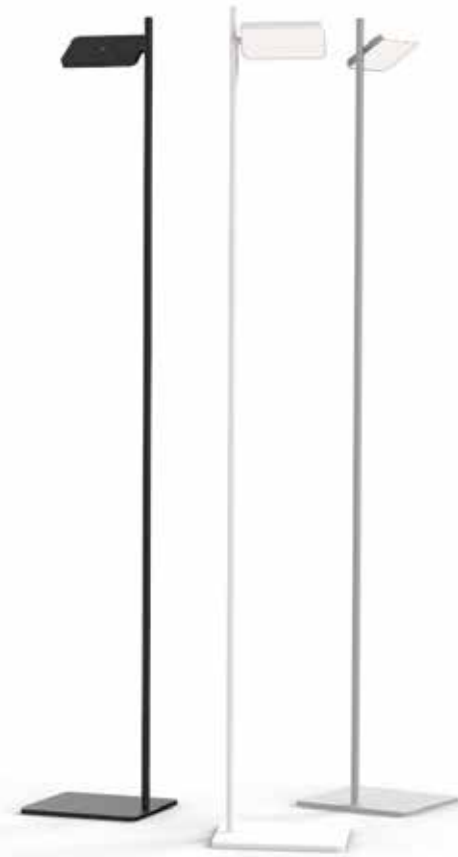


PACKAGING WEIGHT AND DIMENSIONS

| | | |
|-------------|--------|----------------------|
| Talia Floor | 7.5LBS | 33.2" X 11.9" X 2.1" |
| | 3.5KG | 84cm X 30cm X 5.3cm |

NOTES

Custom requests can be considered on volume orders

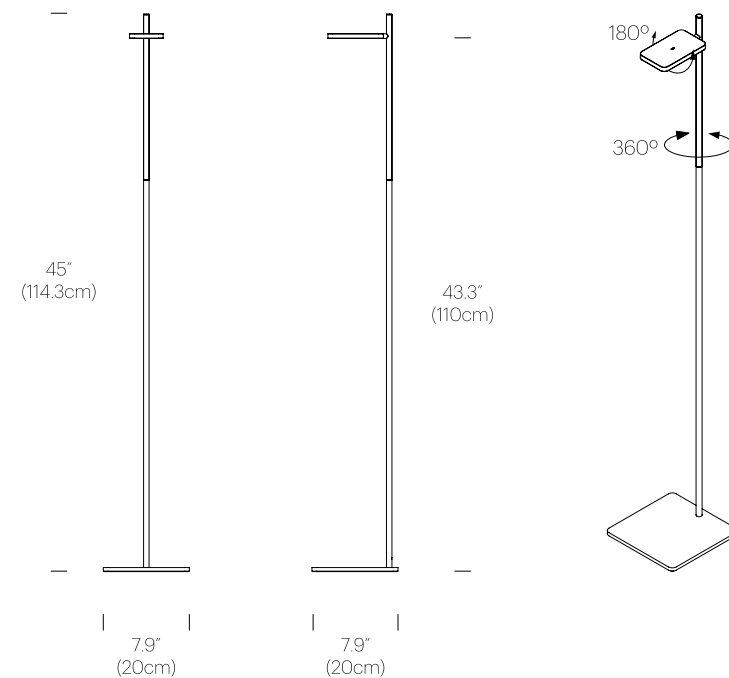


FINISHES



DIMENSIONS

TALIA FLOOR



T.O

T.O celebrates and reinforces the importance of light as a pillar of our daily life. A monolithic column stands to support a horizontal and vertical line of light to provide precise light control in all directions. T.O embodies a harmonious dialogue between solidity and lightness offering unlimited contexts for use in residential and workplace environments, all within a minimal footprint. T.O features a fully dimmable LED light source with tactile push switch appropriately positioned at the end of arm. Both table and floor versions feature a magnetically attached light arm over a marble cylinder base while the light wand can be rotated up to 360 degrees to provide both direct and indirect light for task and ambient lighting needs alike. T.O is offered in 2 marble base finishes in Marquina black and Carrara white while the light arm is elegantly contrasted in polished surfaces in brass, chrome, graphite and ivory white. T.O is a seamless integration of functional lighting and sculpture.

Designer:
Carmine Deganello + Pablo Studio 2021



T.O TABLE

DESCRIPTION

T.O celebrates and reinforces the importance of light as a pillar of our daily life. A monolithic column stands to support a horizontal and vertical line of light to provide precise light control in all directions. T.O embodies a harmonious dialogue between solidity and lightness offering unlimited contexts for use in residential and workplace environments, all within a minimal footprint. T.O features a fully dimmable LED light source with tactile push switch appropriately positioned at the end of arm. Both table and floor versions feature a magnetically attached light arm over a marble cylinder base while the light wand can be rotated up to 360 degrees to provide both direct and indirect light for task and ambient lighting needs alike. T.O is offered in 2 matte base finishes in Marquina black and Carrara white while the light arm is elegantly contrasted in polished surfaces in brass, chrome, graphite and ivory white. T.O is a seamless integration of functional lighting and sculpture.

FIXTURE TYPE

Table

LIGHT SOURCE

High output LED array

LIGHT CONTROL

Mechanical push button
Full range dimming (100-10%)
2-stage dimming (100/40/%)

FEATURES

360° arm rotation
Advanced LED array eliminates multiple shadows

SPECIFICATIONS

Voltage: 120-240V 50/60Hz
Power Consumption: 4.5W
Color Temperature: 3000K
Luminosity: 300 Lumens
Luminaire efficacy: 67 Lumens/Watt
Color Rendition Index: 90 CRI
Cord length: 6' (1.8m)

CERTIFICATIONS



PACKAGING WEIGHT AND DIMENSIONS

| | | |
|-----------|------|--------------------|
| T.O Table | 9LBS | 10.2" X 19" X 2.4" |
| | 4KG | 26cm X 48cm X 6cm |

NOTES

Custom requests can be considered on volume orders



FINISHES

T.O TABLE



MARQUINA BLACK/
BRASS



CARRARA WHITE/
CHROME



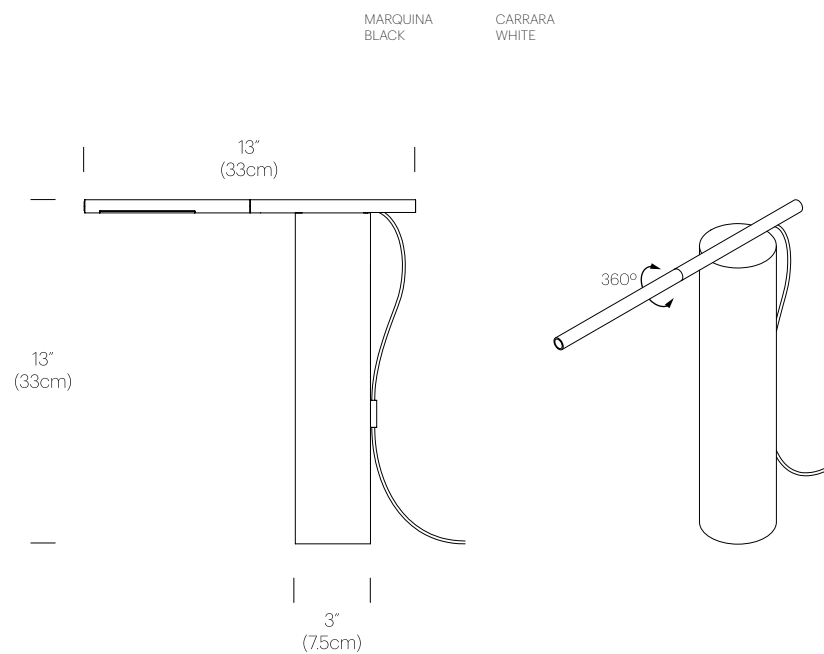
MARQUINA BLACK/
WHITE



CARRARA WHITE/
GRAPHITE

DIMENSIONS

T.O TABLE



T.O FLOOR

DESCRIPTION

T.O celebrates and reinforces the importance of light as a pillar of our daily life. A monolithic column stands to support a vertical line of light to provide precise light control. T.O embodies a harmonious dialogue between solidity and lightness offering unlimited contexts for use in residential and workplace environments, all within a minimal footprint. T.O features a fully dimmable LED light source with tactile push switch appropriately positioned at the end of arm. Both table and floor versions feature a magnetically attached light arm over a marble cylinder base while the light wand can be rotated up to 360 degrees to provide both direct and indirect light for task and ambient lighting needs alike. T.O is offered in 2 matte base finishes in Marquina black and Carrara white while the light arm is elegantly contrasted in polished surfaces in graphite and ivory white. T.O is a seamless integration of functional lighting and sculpture.

FIXTURE TYPE

Floor

LIGHT SOURCE

High output LED array

LIGHT CONTROL

Mechanical push button

Full range dimming (100-10%)

2-stage dimming (100/40%)

FEATURES

360° arm rotation

Advanced LED array eliminates multiple shadows

SPECIFICATIONS

Voltage: 120-240V 50/60Hz

Power Consumption: 10W

Color Temperature: 3000K

Luminosity: 700 Lumens

Luminaire efficacy: 70 Lumens/Watt

Color Rendition Index: 90 CRI

Cable Length: 6' (1.8m)

CERTIFICATIONS



PACKAGING WEIGHT AND DIMENSIONS

| | | |
|------------|-------|----------------------|
| T.O Floor | 8LBS | 10.2" X 19" X 2.4" |
| (Base) | 3.6KG | 26cm X 48cm X 6cm |
| T.O Floor | 2LBS | 3" X 4" X 64" |
| (Lamp arm) | .9KG | 7.6cm X 10cm X 162cm |

NOTES

Custom requests can be considered on volume orders



FINISHES

BASE



MARQUINA BLACK



CARRARA WHITE

ARM



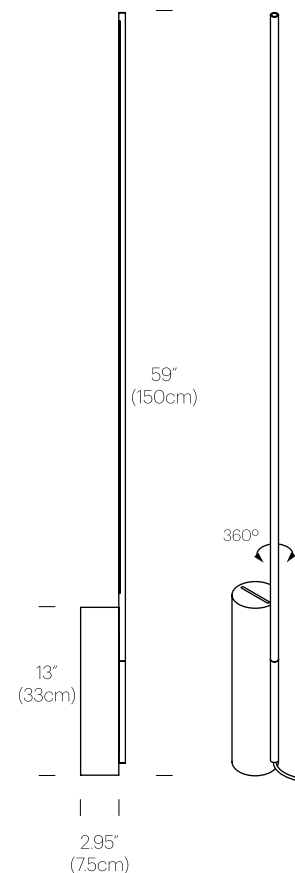
WHITE



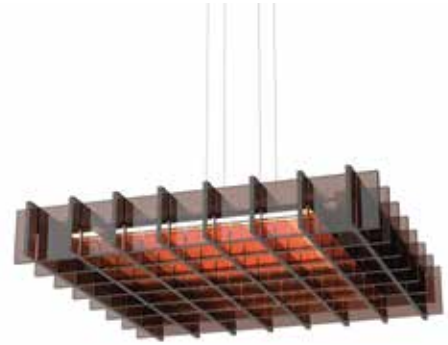
GRAPHITE

DIMENSIONS

T.O FLOOR



28 YEARS OF
ILLUMINATION



UNITED KINGDOM & IRELAND

McInnes Cook Light Limited
Unit 10 Rudgate Business Park,
Rudgate, Tockwith,
North Yorkshire, YO26 7RD
United Kingdom

+44 1423 359-988

www.mcinnescook.com

info@mcinnescook.com



Pablo[®]

McInnes Cook Light Limited
Unit 10 Rudgate Business Park
Rudgate, Tockwith,
North Yorkshire YO26 7RD
United Kingdom
+44 1423 359-988
www.mcinnescook.com
info@mcinnescook.com